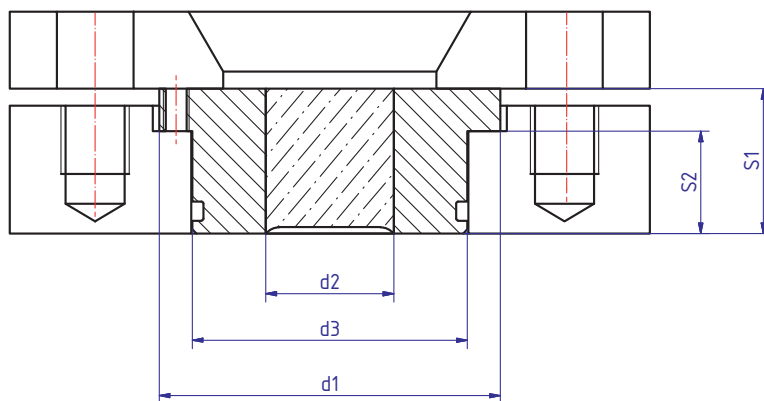
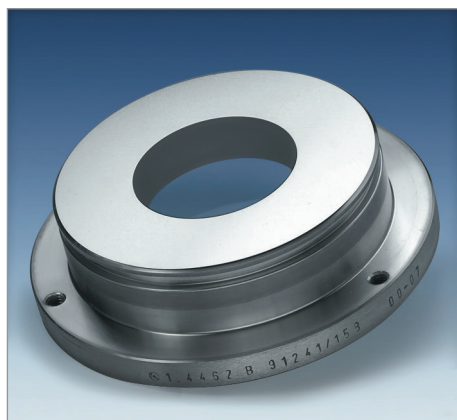


Type 901

METAGLAS® Sight glass Discs for Sterile Applications



Applications

- Weld in base flanges similar to DIN 28117

Material certificates

Certificate of Conformity to EN 10204-3.1 or 3.2

Operating conditions

Pressure: -1 to 16 bar
Temperature: see table

Ring materials

	Temperature (TS)
1.4462	-30°C bis +280°C
2.4602	-60°C bis +300°C
2.4605	-60°C bis +300°C
2.4610	-60°C bis +300°C

Technical data Manufactured and tested to:

- Directive for pressure equipment 2014/68/EU, Module H (DIN/EN/ISO 9001)
- AD2000 Standards W0/TRD 100
- Sight glass fused to metal conforming to DIN 7079
- Materials to VdTÜV specifications and the DIN/EN designated standards
- Glass: Borosilicate to DIN 7080 / DIN 7079

Advantages

- Security against total failure
- Gap can be checked
- Dead zone free, flush wall seal design
- Suitable for CIP and SIP cleaning

O-Ring

- Material: EPDM, FDA
- Dimensions: see table

NW	d1	d2	d3	S1	S2	O-Ring
40	80	30	64,5	34	24	58,74 x 3,53
50	100	40	79,5	34	24	72,62 x 3,53
80	125	50	99,5	34	24	91,67 x 3,53
100	150	60	124,5	34	24	113,70 x 5,34
125	175	70	149,5	34	24	139,07 x 5,34
150	200	80	174,5	40	30	164,46 x 5,34
200	250	100	224,5	40	30	208,91 x 5,34