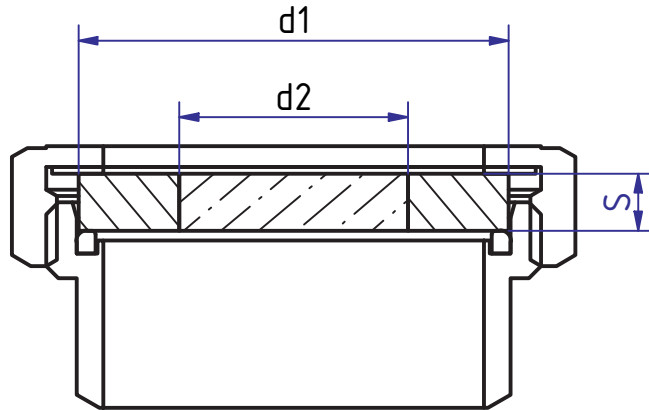
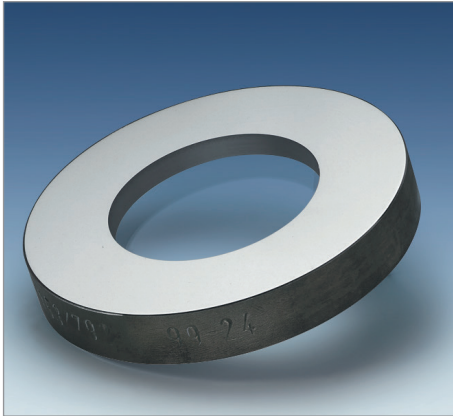


Type 82

METAGLAS® for Screwed Sight glass Fittings similar to DIN 11851



Applications

- Screwed Sight glass fitting similar to DIN 11851
- for use in food processing, cosmetic and pharmaceutical applications where a product or process has to be observed or controlled inside stirred vessels, tanks, dryers, columns, centrifuges, mixers, evaporators, etc.

Advantages

- Reliability against total failure – the possibility of sudden unexpected rupture is totally excluded
- Simple assembly
- Long working time

Approvals and technical data

- Manufactured and tested in conformance with:
- Pressure Equipment Directive 2014/68/EU, Module H/H1 (DIN/EN/ISO 9001)
- AD2000 Standards W0/TRD 100
- TÜV and Factory Mutual Approval
- Sight glass fused to metal conforming to DIN 7079
- Borosilicate Glass to DIN 7080 / DIN 7079

Material certificates

- Certificate of Conformity EN 10204 – 3.1 or 3.2

Ring materials	Temperature (TS)
1.4462	-30°C bis +280°C
2.4602	-60°C bis +300°C
2.4605	-60°C bis +300°C
2.4610	-60°C bis +300°C

NW	d1	d2	S	Maximum Pressure in bar
32	45	25	10	40
40	50	25	10	40
50	63	35	10	16
65	80	45	10	10
80	93	50	10	10
100	113	60	15	16
125	142	75	20	16
150	166	80	20	16