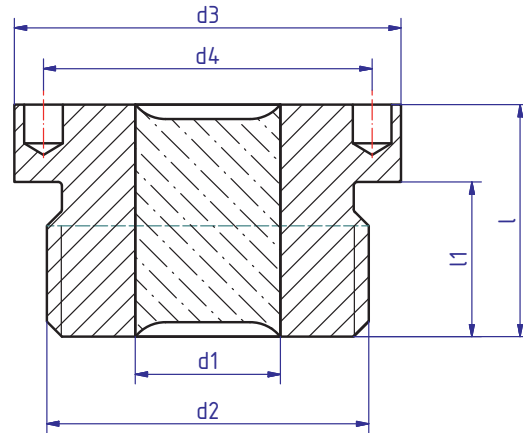
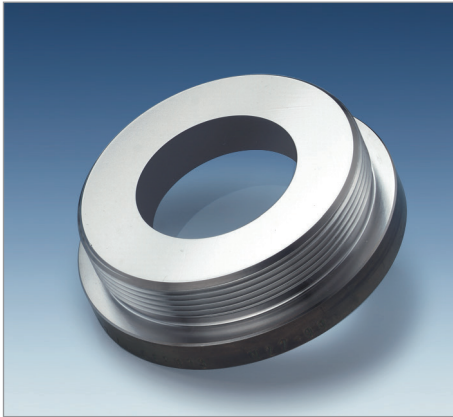


## Type 64

### METAGLAS® Threaded Sight glass – Round Head



#### Applications

- Female connection with Metric or Whitworth thread

#### Advantages

- Very compact
- High pressure resistance
- Simple assembly
- Long working time

#### Operating conditions

Pressure: 100 bar

Temperature: see table

Glass Quality	maximale Temperature (TS)
Borosilikatglas	+280°C
AR-Glas	+150°C

#### Technical data Manufactured and tested to:

- Directive for pressure equipment 2014/68/EU, Module H (DIN/EN/ISO 9001)
- AD2000 Standards W0/TRD 100
- Sight glass fused to metal conforming to DIN 7079
- Materials to VdTÜV specifications and the DIN/EN designated standards

#### Material certificates

- Certificate of Conformity to EN 10204-3.1 or 3.2 for extra costs

#### Materials

- Ring material: Carbon Steel (S355J2+N), Stainless Steel (1.4462)
- Glass: Borosilicate to DIN 7080 / DIN 7079 or Sodalime

#### Dimensions to DIN 3852

- Type F (Sealing with O-Ring)

d1 (Glass diameter)		d2 (Thread)		d3	d4	l	l1	O-Ring
AR-Glass	Borosilikat-Glass	M-Thread	G-Thread					
10	6	M 18 x 1,5		25	21	18	11	15,3 x 2,4
10	8		G <sup>3/8</sup> "	25	20	16,5	11	14,3 x 2,4
12	9	M 20 x 1,5		26	21	18	11	17,3 x 2,4
12	8		G <sup>1/2</sup> "	26	21	18	11	18,0 x 2,4
16	12	M 26 x 1,5		32	27	18	11	22,0 x 3,0
16	12	M 27 x 2	G <sup>3/4</sup> "	32	27	21	14	24,0 x 3,0
20	18	M 33 x 2		40	34	24	16	30,0 x 3,0
20	15		G <sup>1</sup> "	40	34	24	16	30,0 x 3,0
23	20	M 42 x 2		50	40	30	20	38,0 x 3,0
23	23		G <sup>1 1/4</sup> "	50	44	23	15	38,0 x 3,0
26	25	M 48 x 2		55	48	24	14	44,0 x 3,0
26	25		G <sup>1 1/2</sup> "	55	48	24	14,5	44,0 x 3,0
34	30	M 60 x 2		68	58	25	15,5	56,0 x 3,0
34	35		G <sup>2</sup> "	68	58	25	15,5	56,0 x 3,0
44	44	M 78 x 2		88	75	30	20	75,0 x 3,0
44	44		G <sup>2 1/2</sup> "	88	70	26	16	70,0 x 3,0