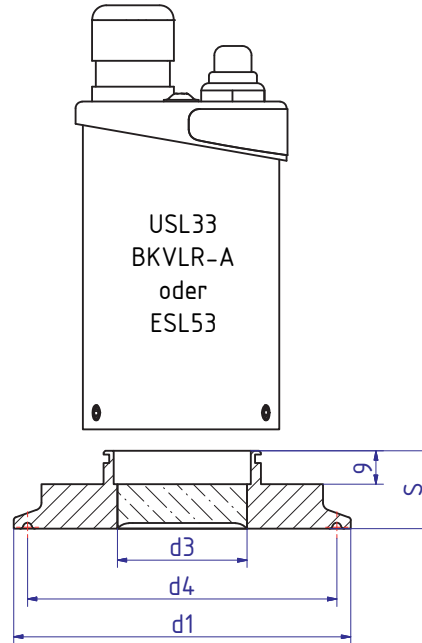


Type 80.USL33

METACLAMP® Sanitary Metaclamp & Luminaire USL33 / ESL53 or BKVLR-A



Applications

- Extremely compact unit combining the popular LumiGlass USL-33 light with the proven Metaclamp sanitary mounting system. This compact combination can be mounted directly to any vessel or pipeline and provides of intense glare free illumination through a METAGLAS® safety Glass lens. Lights are available with an optional push button momentary on/off switch.

Material certificates

- Certificate of Conformity to EN 10204-3.1 3.2 for extra costs

Sanitary Metaclamp Materials

- Duplex Stainless Steel (1.4462)
- Hastelloy C-22 (2.4602)
- Hastelloy C-4 (2.4610)

Operating conditions for sight glass

- Pressure: -1 to 16 bar
- Temperature: see table

Ring

materials	Temperature (TS)
1.4462	-30°C bis +280°C
2.4602	-60°C bis +300°C
2.4610	-60°C bis +300°C

Technical data Manufactured and tested to:

- Directive for pressure equipment 2014/68/EU, Module H (DIN/EN/ISO 9001)
- AD2000 Standards W0/TRD 100
- Sight glass fused to metal conforming to DIN 7079
- Materials to VdTÜV specifications and the DIN/EN designated standards
- Glass: Borosilicate to DIN 7080 / DIN 7079

Advantages

- Extremely compact
- Minimal crevices for sanitary applications
- Suitable for food processing (A3-Standard)
- Dust and water jet resistant (IP65) even during external washdown
- Fast & simple installation with no risk of breakage
- Very high resistance to impact
- Sight glass resistant to catastrophic failure

For further technical information see data sheets USL33/ ESL53 or BKVLR-A

Nominal size			d1	d3	d4	S	Max. operating pressure [bar]
DIN	ISO	ASME BPE					
25/32/40	15/20/25	1", 1½"	50,5	25	43,5	20	16
50	32/40	2"	64	30	56,5	24	16
-	50	2½"	77,5	34	70,5	21	10
65	65	3"	91	35	83,5	21	10
80	80	3½"	106	35	97,0	22	10
100	-	4"	119	35	110,0	22	10