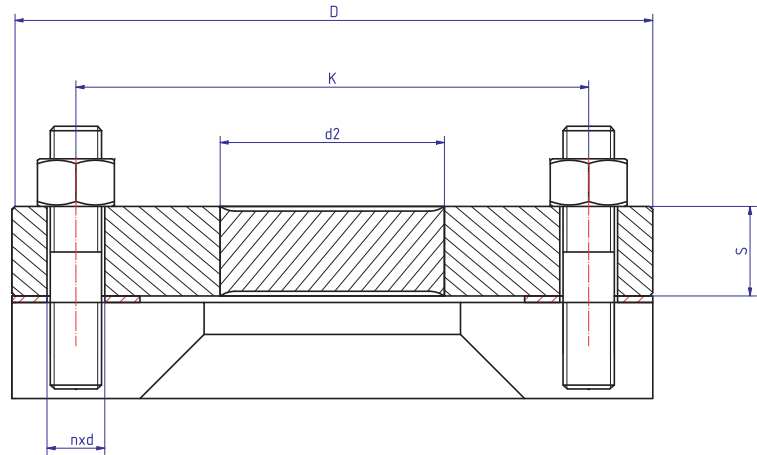
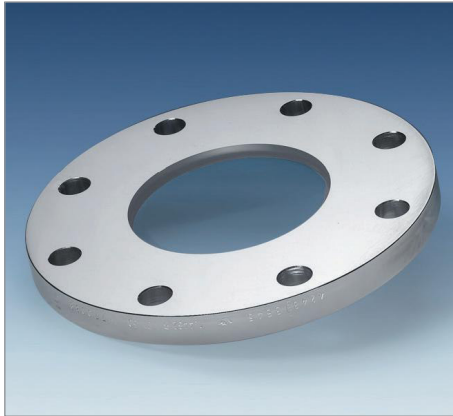


Type 11.B3

METAGLAS® Sight glass Flange – Connection to DIN 2501 (Glass - concave both faces)



Applications

- Flat face mating flange

Advantages

- Reliability against total failure. The possibility of unexpected rupture is excluded
- Long working time
- Smooth easy clean surface
- Maximum viewing
- Minimum design height

Ring materials	Temperature (TS)
S355J2+N	-10°C bis +300°C
1.4462	-30°C bis +280°C
2.4602	-80°C bis +300°C
2.4605	-80°C bis +300°C
2.4610	-80°C bis +300°C

Technical data Manufactured and tested to:

- Directive for pressure equipment 2014/68/EU, Module H/H1 (DIN/EN/ISO 9001)
- AD2000 Standards W0/TRD 100
- Sight glass fused to metal conforming to DIN 7079
- Materials to VdTÜV specifications and the DIN/EN designated standards
- Glass: Borosilicate to DIN 7080 / DIN 7079

Material certificates

- Certificate of Conformity to EN 10204-3.1 or 3.2

Approvals

- TÜV-Approval in accordance with the governing standards (for pressure vessels) (PN6 to PN40); with Carbon Steel (DIN S355J2+N) or Duplex Stainless Steel (DIN 1.4462)

Important

Requires parallel flat face mounting flange and full gasket

PN6	Flange				Glass d2	Mounting holes			Gasket
	NW	D	K	S		n	Thread	d	
	40	130	100	17	40	4	M12	14	130 x 70 x 2
	50	140	110	17	50	4	M12	14	140 x 85 x 2
	65	160	130	17	70	4	M12	14	160 x 100 x 2
	80	190	150	19	80	4	M16	18	190 x 110 x 2
	100	210	170	19	100	4	M16	18	210 x 130 x 2
	125	240	200	21	120	8	M16	18	240 x 160 x 2
	150	265	225	23	135	8	M16	18	265 x 185 x 2
	200	320	280	23	160	8	M16	18	320 x 240 x 2

Type 11.B3

PN10 Flange				Glass	Mounting holes			Gasket
NW	D	K	S	d2	n	Thread	d	
40	150	110	19	40	4	M16	18	150 x 70 x 2
50	165	125	21	50	4	M16	18	165 x 85 x 2
65	185	145	21	70	4	M16	18	185 x 105 x 2
80	200	160	23	80	8	M16	18	200 x 120 x 2
100	220	180	23	100	8	M16	18	220 x 140 x 2
125	250	210	25	120	8	M16	18	250 x 170 x 2
150	285	240	25	135	8	M20	22	285 x 195 x 2
200	340	295	32	160	8	M20	22	340 x 250 x 2

PN16 Flange				Glass	Mounting holes			Gasket
NW	D	K	S	d2	n	Thread	d	
40	150	110	19	40	4	M16	18	150 x 70 x 2
50	165	125	21	50	4	M16	18	165 x 85 x 2
65	185	145	21	70	4	M16	18	185 x 105 x 2
80	200	160	23	80	8	M16	18	200 x 120 x 2
100	220	180	23	100	8	M16	18	220 x 140 x 2
125	250	210	28	120	8	M16	18	250 x 170 x 2
150	285	240	28	135	8	M20	22	285 x 195 x 2
200	340	295	33	160	12	M20	22	340 x 250 x 2

PN25 Flange				Glass	Mounting holes			Gasket
NW	D	K	S	d2	n	Thread	d	
40	150	110	21	40	4	M16	18	150 x 70 x 2
50	165	125	23	50	4	M16	18	165 x 85 x 2
65	185	145	25	70	8	M16	18	185 x 105 x 2
80	200	160	27	80	8	M16	18	200 x 120 x 2
100	235	190	27	100	8	M20	22	235 x 145 x 2
125	270	220	29	120	8	M24	26	270 x 170 x 2
150	300	250	33	125	8	M24	26	300 x 200 x 2

PN40 Flange				Glass	Mounting holes			Gasket
NW	D	K	S	d2	n	Thread	d	
65	185	145	25	70	8	M16	18	185 x 105 x 2
80	200	160	28	70	8	M16	18	200 x 120 x 2
100	235	190	32	80	8	M20	22	235 x 145 x 2
125	270	220	35	100	8	M24	26	270 x 170 x 2
150	300	250	38	125	8	M24	26	300 x 200 x 2

PN64 Flange				Glass	Mounting holes			Gasket
NW	D	K	S	d2	n	Thread	d	
65	205	160	35	65	8	M20	22	205 x 115 x 2
80	215	170	38	80	8	M20	22	215 x 125 x 2
100	250	200	40	80	8	M24	26	250 x 150 x 2
125	295	240	43	100	8	M27	30	295 x 185 x 2

PN100 Flange				Glass	Mounting holes			Gasket
NW	D	K	S	d2	n	Thread	d	
65	220	170	38	60	8	M24	26	220 x 120 x 2
80	230	180	40	70	8	M24	26	230 x 130 x 2
100	265	210	45	80	8	M27	30	265 x 155 x 2
125	315	250	50	90	8	M30	33	315 x 185 x 2