

Sight Flow Indicators

Type C - Customised Designed

Data Sheet VC3.03

- High quality robust design
- CE Marked and compliant with the Pressure Equipment Directive where required
- Threaded or flanged connections
- Pressures up to 250 bar
- Temperatures up to 500 °C



Applications:

Type C sight flow indicators are custom designed to meet the specifications that the standard range of sight flow indicators cannot.

Advantages:

PED compliant where required

Ease of Maintenance: Spare glass and gaskets can be individually removed and replaced

Durable construction

Construction:

- Screwed connections to NPT, BSPP or BSPT
- Socket weld connections also available
- Standard flanges include ANSI 150, ANSI 300 and PN16 special flange ratings are available
- Body and covers to customer requirements
- Gaskets and fasteners to customer requirements
- Sodalime glass to BS 3463 or DIN 8902
- Borosilicate glass to BS 3463 or DIN 7080
- Borosilicate glass recommended for steam & condensate

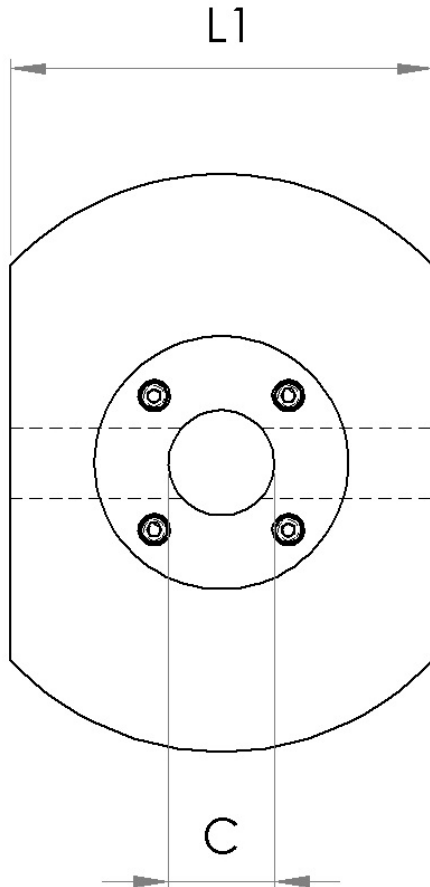
Options:

- METAGLAS[®] Safety Sightglass Windows for ultimate safety & long life
- Internal Flap or Paddle Wheel for flow indication
- NACE MR0175: Sightglasses can be produced to conform with NACE MR0175
- Lining: Body can be lined with HALAR ECTFE or PFA for particularly corrosive applications
- High pressure up to 250 bar
- Mica discs can be used to protect glass from alkaline and steam

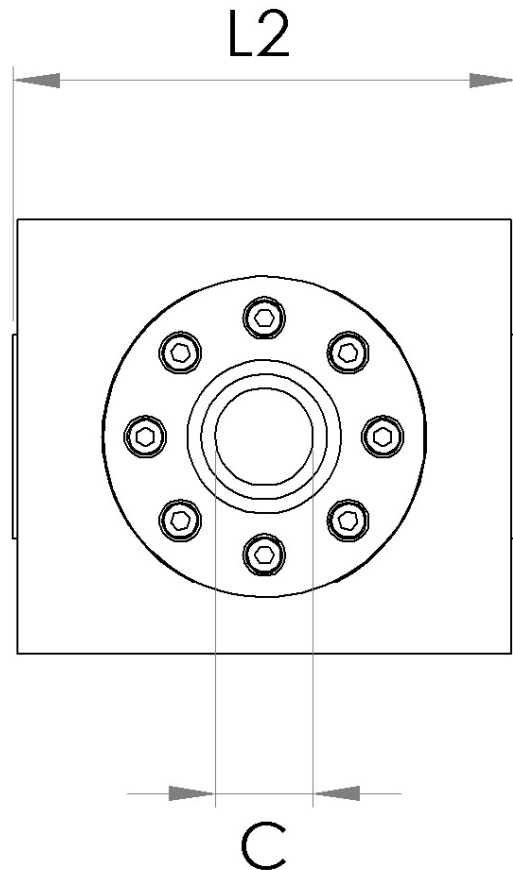
Quality:

- Manufactured to the highest standard
- Quality system is independently audited by SAI and certified to ISO9001
- Indicators are fully PED compliant and CE marked where required
- Full material traceability is maintained, material test certificates and pressure test certificates supplied on request

**Dimensions
Threaded Design**



**Dimensions
Flanged Design**



Nominal Bore mm	Nominal Bore inch	Length L1 mm	Length L2 mm	Clearview C mm
15	½	85	130	15
20	¾	85	130	20
25	1	95	140	25
40	1 ½	120	180	40
50	2	150	220	50