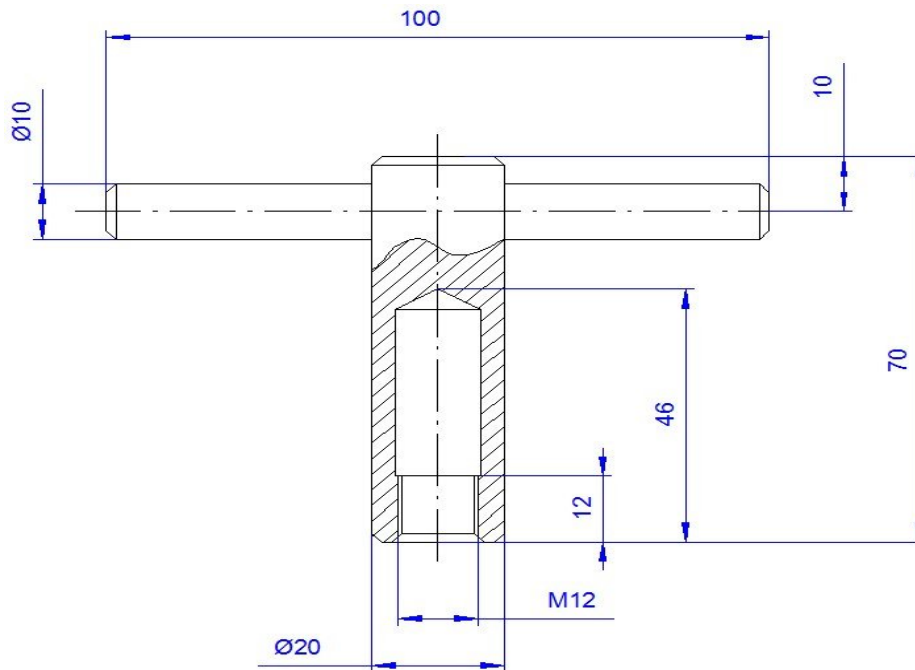


Toggle Nut



Execution:

Without cracks and wrinkles, surface sandblasted

Material:

C35E | 1.1181 nach DIN EN 10269
with inspection certificate acc. to DIN EN 10204 - 3.1

Thread:

ISO - DIN 13, Toleranz 6 H