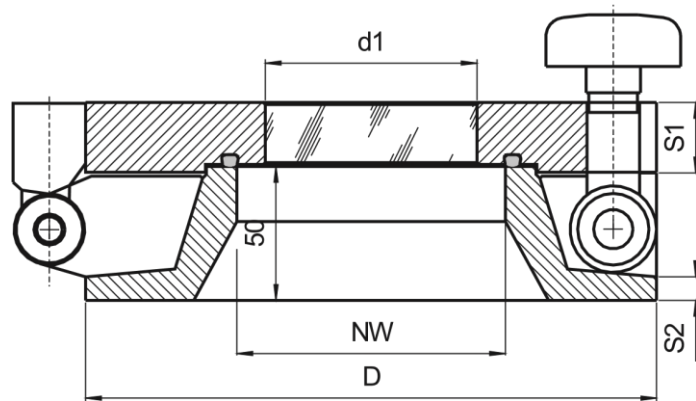


Type 98.ZIM
METAGLAS® folding Sight Glass



Approvals

- TÜV-component inspection,
- with individual check according to DGR 97/23/EG
- with ASME certification (optional)

Operation areas

- Chemical-, pharmaceutical-, food industry

Circular fastener

for scrutinizing according to TÜV, ASME; depending on size up to 10 / -1 bar

Standard application

- Materials wetted parts: 1.4571, optional 1.4404
- Sight glass 1.4462 / Borosilicate
- Plastic star handle with stainless steel screw socket
- Silicon seal
- With hinge and button
- Flange height 50mm, thickness 10mm, outside conical
- Surface non-ground, glass blasted

Options

- Different collar materials: 1.4435 BN2, 1.4539, 1.4529, 1.4462, Hastelloy (C-22, C-4, C-276 ...)
- Sight glass: Hastelloy / Borosilicate
- Different sealings
- Different surface qualitys (glass blasted, pickled or ground to Ra < 0,2 µm)
- Optional sizes available
- Fastener slew able sideways
- Different fastening nuts: stainless steel star handles, locking handle
- Self snapping safety adjustment
- Spring-opening aid
- Wiper and luminaires
- Fitting in special materials

NW	Maximum pressure (bar)	Max. operating temperature	No. of Screws M16	S1	S2	D	D1	Weight (kg)
100	10	280°C	4	30	10	215	80	15
125	10	280°C	4	30	10	240	100	16
150	10	280°C	4	30	10	265	110	17
175	10	280°C	4	30	10	290	120	18
225	10	280°C	8	30	10	340	140	19