

# Sterile Visual Flow Indicator

Data Sheet 04.17



- For high purity applications
- O-Ring Seal minimises bug traps
- FDA compliant materials
- Suitable for SIP/CIP
- Sanitary Clamp or Orbital Weld Connections
- Armoured housing protects glass from external objects & pipe stress

### Benefits:

Visilume's Sterile Visual Flow Indicator offers easy cleaning, validation and sterilisation so it is ideal for biotech and pharmaceutical applications.

The unique o-ring sealing design offers the smoothest internal bore available with minimal bug traps.

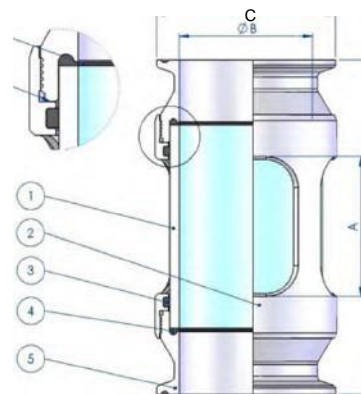
Polished stainless steel connections include sanitary clamps, orbital weld & Swagelock TS as standard

### Construction:

- Standard Product contact surface Ra<0.6µm electropolished Ra<0.38µm available
- Borosilicate Glass
- Standard seals are EPDM Silicone, Viton and FEP encapsulated silicone also available
- Stainless Steel 316L housing & connections Hastelloy also available
- Custom designs & lengths available

### Operating Parameters:

- Pressure up to 22 Bar
- Temperatures up to 150°C



ITEM	QTY	DESCRIPTION	MATERIAL	AVAILABLE OPTIONS
1	1	GLASS	BOROSILICATE	
2	1	BODY	316L St St	C22 / AL6XN
3	2	CUSHION O-RING	EPDM FDA	USP VI / FEP
4	2	SEALING O-RING	EPDM FDA	USP VI / FEP
5	2	FLANGE ENDS	316L St St	C22 / AL6XN

Nominal Clamp Inch	Dimension (mm)				Working Pressure (bar)	Mass (kg)
	Window A x W	ID (B)	Flange (C)	Length (L)		
3/8"	16 X 8	7.7	25.4	65	22.0	0.09
1/2"	20 X 9	9.5	25.4	76	20.0	0.12
3/4"	27 X 11	15.8	25.4	87	17.5	0.15
1 "	30 X 16	22.1	50.5	91	8.5	0.37
1 1/2"	40 X 24	34.8	50.5	105	8.0	0.40
2 "	48 X 34	47.5	64.0	120	7.0	0.63
2 1/2"	55 X 40	60.3	77.5	151	6.5	1.15
3 "	90 X 50	72.9	91.0	175	6.5	1.46
4 "	110 X 60	97.4	119.0	200	4.0	2.78
6 "	150 X 80	150.0	167.0	250	3.0	6.00