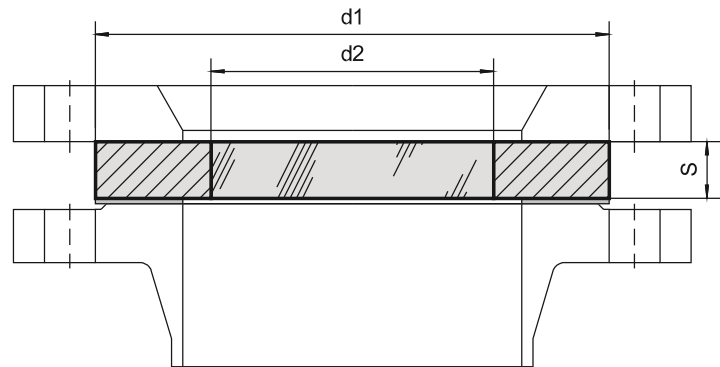
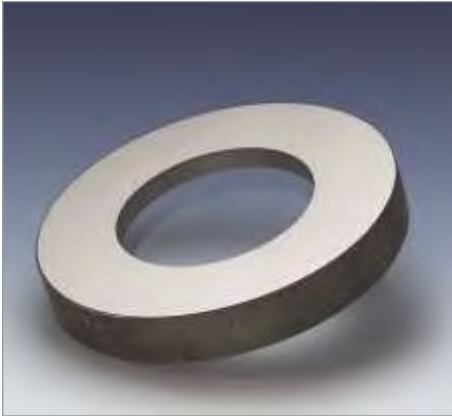


Type 76

METAGLAS® Sight Glass Discs for Welding Neck Flanges – Connection to DIN



Applications

As a replacement for conventional glasses in the following assemblies:

- Circular sight ports to DIN 28121
- Plus any other assemblies where the glass is of the same dimensions, e.g. weld neck flanges with flat or raised face

Operating conditions

- Temperature: -60°C to +300°C
- Pressure: Up to 40 bar (TÜV)
- Higher pressures possible

Ring materials	Operating temperature
1.0570	-10°C to +300°C
1.4462	-30°C to +280°C
2.4602	-60°C to +300°C
2.4605	-60°C to +300°C
2.4610	-60°C to +300°C

Approvals and technical data

- Manufactured and tested in conformance with:
- **Directive for pressure equipment 2014/68/EU** (DIN/EN/ISO 9001)
- AD2000 Standards W0/TRD 100
- TÜV and Factory Mutual Approval*
- Sight glass fused to metal conforming to DIN 7079
- Borosilicate glass to DIN 7080 / DIN 7079

Advantages

- Reliability against total failure – the possibility of sudden unexpected rupture is totally excluded
- High resistance to bending and over-tightening offers simple and fast installation with no risk of breakage
- Extreme resistance to impact, pressure and temperature
- Reusable in the same or other applications – conventional glass is not available
- Wide acceptance in the European & American chemical industries

Material certificates

- Certificate of Conformity to EN 10204-3.1 or 3.2

Nominal size	maximum pressure			40 bar		
	16 bar			d1	d2	S
		d1	d2	S		
25		70	30	10	70	15
32		82	40	12	82	15
40		92	45	15	92	20
50		107	50	15	107	20
65		127	70	15	127	25
80		142	75	20	142	25
100		162	80	20	162	25
125		192	100	20	192	30
150		218	100	25	218	35
200		273	120	30	273	40