



## UL-listed Lumiglas luminaires model USL08-Ex + T3B, T4A

Data sheet 07.08

- **For mounting on sightglass fittings**  
Sightglass luminaire suited both for combined sight/light port (single flanged branch version) as well as separate ports (dual flanged branch); **this Ex listed construction has an integral terminal box with three alternative connecting cable entries**

- **Compact design, high output**

- **Dazzlefree illumination – suitable for use on**
  - circular sightglass fittings DIN 28120 / DIN 28121 or similar from size DN 50
  - screwed sightglass fittings to DIN 11851 from size DN 100
  - flow indicators from size DN 50

- **Large diameter light exit thanks to ideal screwed lens ring design**

- **Application**

For illumination of internals of pressure vessels, tanks, hoppers, silos, stirred reactors and other normally totally enclosed vessels as well as flow indicators in **explosion hazardous areas** subject to UL requirements

- **Suitable for use in food processing**

- **Protection:**

Dust and water jet tight IP 65 to EN 60529/ DIN VDE 0470 Part 1

- **Ignition protection, Explosion group:**

- UL 844 listed for class I Div. 1 & 2, group C & D
- UL 1571 for "wet conditions"

- **Operating conditions:**

Independent of vessel internal pressure/vacuum

- **Lumiglas-luminaires of this model range are permitted to operate in ambient temperatures up to 40° C.**

- **Test certificate:**  +  listed Cat No. for USL08-Ex: 9N77

- **Electrical and lamp data:**

In line with UL regulations! Electric supply – alternating current (AC)

- **Operating voltage, power and temperature class:**

- 120 V... Halogen-filament lamp 35 W/T4A
- 120 V... Halogen-filament lamp 50 W/T3B
- 120 V... Halogen-filament lamp 100 W/T3B

- **Model variants:** refer to table on 4<sup>th</sup> page



Lumiglas Luminaire USL08-Ex with mounting brackets



Lumiglas Luminaire USL08-Ex installed on a circular sight port DIN 28120

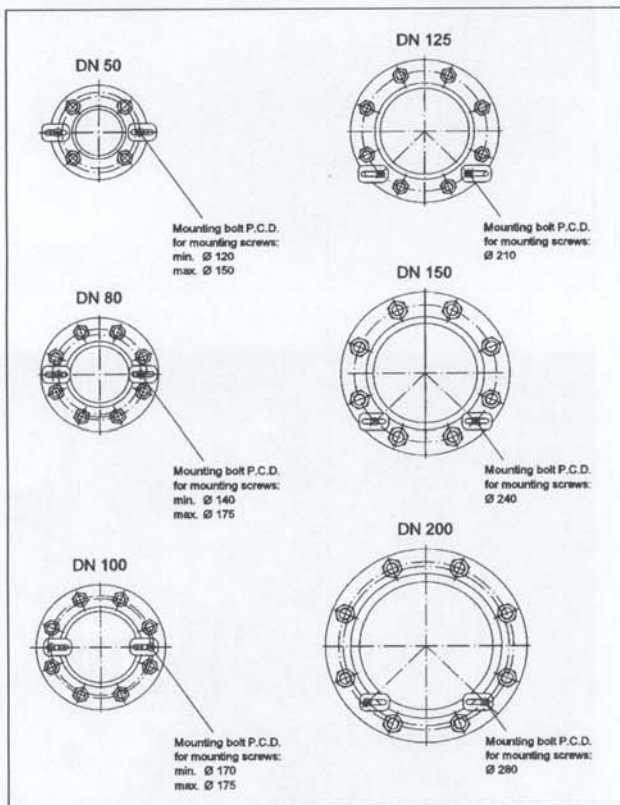
• **Lamp socket:**

Depending on lamp used, either E26 screwed socket or BA15d bayonet socket (see table on 4<sup>th</sup> page)

• **Straightforward mounting using custom designed brackets (to be ordered separately) which ensure practical operation:** The luminaire is set up on its brackets which are fastened to the face of the cover flange of circular sightglasses or flow indicator; or onto screwed sightglass fittings.

a) **straight brackets are for use with size DN 50 – DN 100**  
(light port only)

b) **cranked brackets are for use with size DN 125 – DN 200**  
(sight/light port combination)



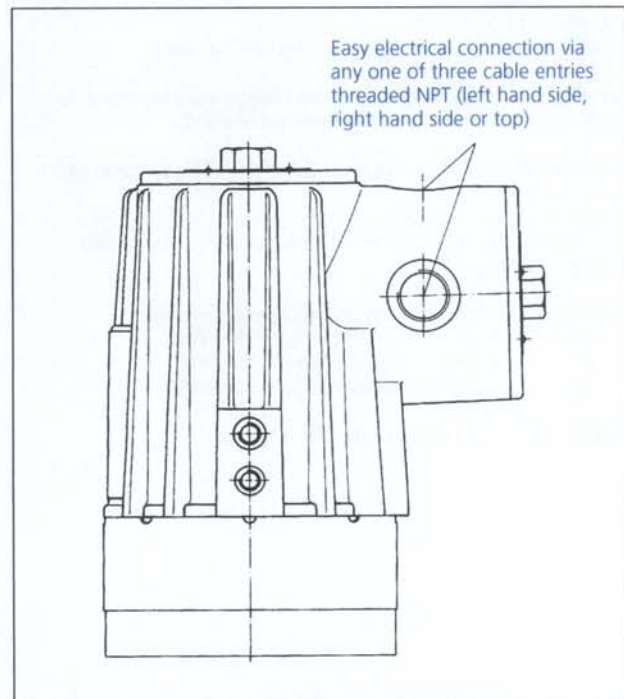
• **Trouble free electrical connection thro' terminal box**

The luminaire is ready wired internally! The terminal box is fitted with three NPT  $\frac{1}{2}$ " threaded cable entries – (right hand side, left hand side and top). The two unused cable entries are sealed with blind plugs (included in delivery), (NB: Cable entry gland is not included in the supply as connection is usually made using cable conduit).

• **Lamp change made easy thanks to screwed design (4a)**

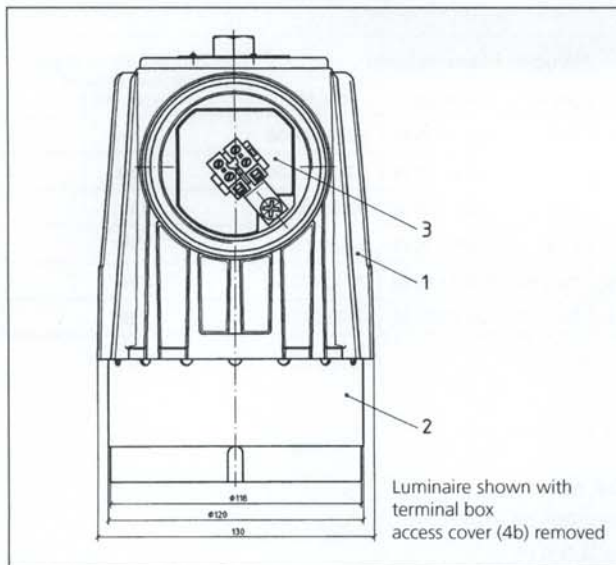


Terminal box of Lumiglas Luminaire USL08-Ex



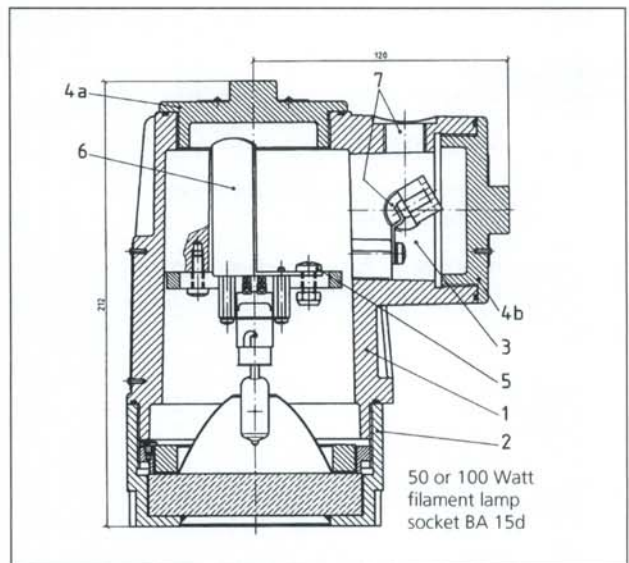
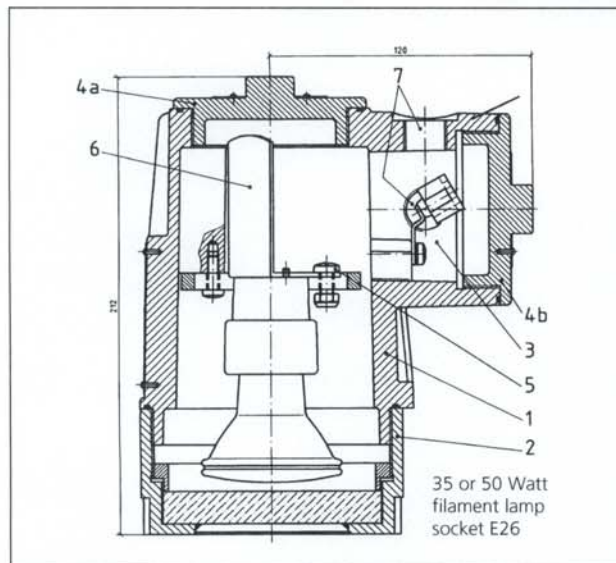
Electrical connection variations

• Dimensions and electrical data for Lumiglas luminaires model USL08-Ex:



**Part Description**

- |    |  |
|----|--|
| 1  | luminaire body   |
| 2  | screwed lens ring  |
| 3  | terminal box with terminal block   |
| 4a | access cover for lamp exchange   |
| 4b | access cover for cable connection  |
| 5  | screw with self locking nut for lamp socket                                |
| 6  | lamp socket – angle bracket assembly                                       |
| 7  | 3 x 1/2 in NPT threaded cable entry holes for alternative cable connection |



• **Parts and materials of construction:**

- luminaire body of corrosion resistant die cast aluminium, GK-AISi10Mg
- light aperture/lens ring aluminium ring, glass disc, O ring seal integral unit
- mounting brackets (see under optional supply) G-AISi10Mg alloy
- weight: 3.2 kg

• Model variants and connecting data:

Part	Model USL08-Ex <sup>1)</sup>	Cat. No.	Supply voltage AC	Halogen filament lamp			Temperature class at max ambient temp. 40° C	
				reflector fil.lamp	socket	voltage		Cat. No.
1	(120 V) Sp 35 W	3540.305.00	120 ~	reflector fil.lamp	E 26	120 V / 35 W	3232.248.00	T4A
2	(120 V) FI 35 W	3540.305.00	120 ~	"	E 26	120 V / 35 W	3232.251.00	T4A
3	(120 V) Sp 50 W	3540.306.00	120 ~	"	E 26	120 V / 50 W	3232.249.00	T3B
4	(120 V) FI 50 W	3540.306.00	120 ~	"	E 26	120 V / 50 W	3232.252.00	T3B
5	(120 V) Sp 50 W	3540.310.00	120 ~	separate reflector	BA 15d	120 V / 50 W	3232.275.00	T3B
6	(120 V) Sp 100 W	3540.308.00	120 ~	separate reflector	BA 15d	120 V/100 W	3232.272.00	T3B

<sup>1)</sup> Sp = spot; FI = flood

• Optional extra supply for Lumiglas luminaire USL08-Ex  + 

Part	Cat. No.
Luminaire mounting bracket: straight for DN 50 to DN 100	0354.005.00
Luminaire mounting bracket: cranked for DN 125 to DN 200	0354.006.00
claw spanner for screwed lens ring	6805.002.00

• Ordering details:

example: - Lumiglas luminaire model USL08-Ex  
120 V/Sp 100 W, BA 15d  
cat. no. 3540.308.00

- luminaire mounting bracket straight  
cat. no. 0354.005.00

- claw spanner for screwed lens ring  
cat. no. 6805.002.00

We reserve the right to make changes without notice – all dimensions in mm unless indicated otherwise.  
MIN 2000/12.03 3755.191