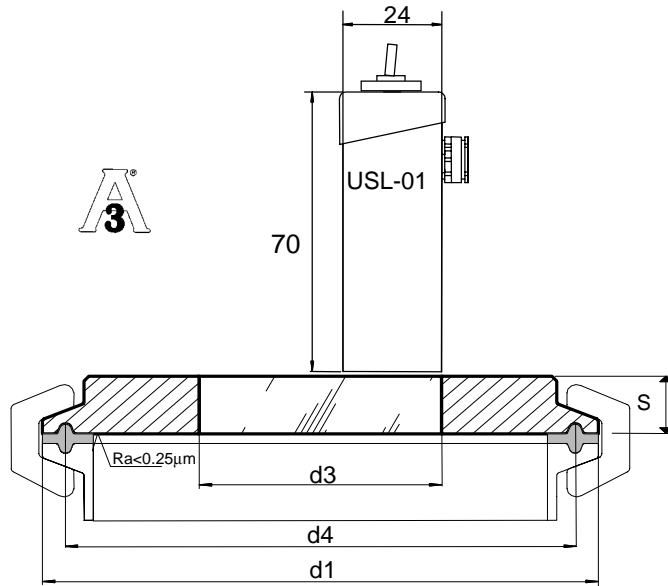


Sterile MetaClamp combined with Mini USL01 Luminaire

VM24.01



4" Metaclamp with Mini-Lumiglas-Luminaire USL-01

For

- Tri-Clamp Fittings to DIN 32 676 / ISO 2852

Advantages:

- Extremely compact sight and light combination
- Minimal crevices for sterile applications
- Suitable for food processing (3-A Standard)
- Dust & Water jet resistant (IP65) even during external wash down
- Simple & fast installation with no risk of breakage
- Sightglass resistant to catastrophic failure
- Very high resistance to impact

Material Certificate:

Certificate of conformity to EN 10204-3.1B (or 3.1A at extra cost)

Approvals and Technical Data:

- Directive for pressure equipment 97/23/EG 02/98 Module H/H1 (DIN/EN/ISO 9001)
- AD Standards W0/TRD 100
- Sight glass fused to metal conforming to DIN 7079
- Materials to Vd TÜV specifications and the DIN/EN designated standard
- Glass: Borosilicate to DIN 7080
- A3 Standard for food processing

Mini-Lumiglas-Light Stainless Steel USL-01

- Supply Voltage: AC/DC
- 12V Halogen-lamp 5 W (without Push Button)
- 21V Halogen-lamp 20 W (with Push Button)
- Housing : Stainless Steel 1.4301 or similar
- Bulb life : over 2500 operating hours
- Maximum ambient temperature: 90°C
- Dust & Water jet tight to IP65 to EN 60 529/DIN VDE 0470 Part 1

Ring Material	Operating Temperature
Duplex Stainless Steel 1.4462	-30°C to +280°C
Hastelloy C-22 2.4602	-60°C to +300°C
Hastelloy C-4 2.4610	-60°C to +300°C

Standard Tube OD		d1	d3	d4	S	Max. operating pressure [bar]
DN (mm)	DN (inch)					
100	4"	119	55	110	12	10
-	6"	167	75	156.5	16	6
-	8"	217.5	100	207.4	16	6
-	10"	268	120	257.8	18	6
-	12"	319.3	140	309.1	20	6