

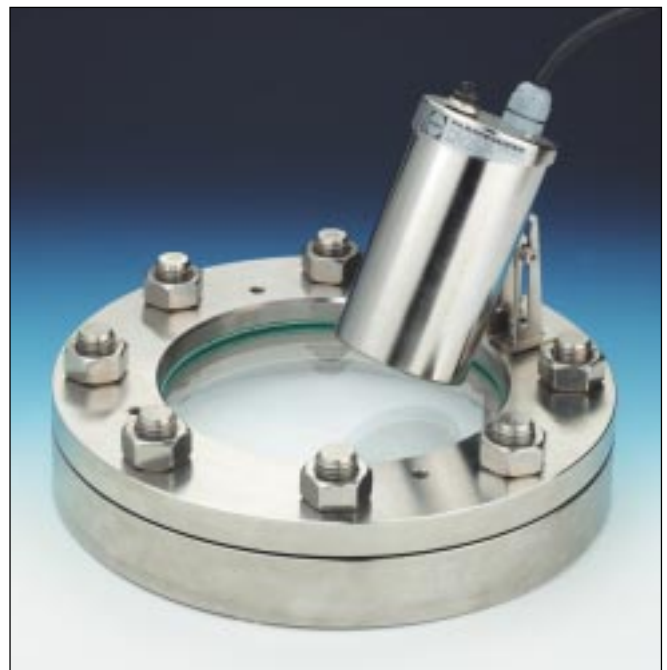
## Lumiglas Stainless Steel, Series USL15

DATA SHEET 06.15

- For use with sight glass fittings**  
 This super-compact sight port luminaire is applicable for combination view/sight port (single flange version) or separate light and sight port (dual-flange version).
  - This powerful super-compact size luminaire is designed to give glare-free illumination with sight glass styles as follows:**  
 DIN 28120, DIN 28121 or similar circular flanges, Visual Flow Indicators, as well as weld-neck style series MV to DIN 11851  
 Nominal sizes depending on fixture type:
    - Circular weld-on sight glass series DIN 28120 starting at DN 40...
    - Circular sight glass series DIN 28121 starting at DN 40...
    - Visual Flow Indicators
    - Circular weld-neck series MV similar DIN 11851 starting at DN 50...
  - Application:**  
 Excellent in the pharmaceutical and food industry, optimum for the illumination of bio-reactors, laboratory mixers, filters, boilers, tanks, agitators, separators, pipes and other sealed vessels in locations that are not potentially explosive.
  - Protection:**  
 Dust and waterjet tight to IP 65 per EN 60 529/ DIN VDE 0470, Part 1 and NEMA Types 4 & 4X.
  - Operating conditions:**  
 Independent of the pressure/ vacuum inside the vessel;  
 maximum allowable ambient temperature at the cable gland 90° C.
- Under no circumstances must the Lumiglas lamp be used for sealing purposes in a vessel port in lieu of a sight port.**
- Electrical information:**  
 The Lumiglas lamp comes equipped with a 3 meter connecting cable.
  - Operating voltage:**  
Without built-in transformer:  
 12 V, 24 V, 120 V... Halogen incandescent lamp, 20 W, with or without built-in push-button;  
  
 Halogen incandescent lamp, 50 W or 24 V/100 W, with built-in push-button, 2-pin socket;  
With built-in transformer:  
 120 V/230 V Halogen incandescent lamp 12 V/5 W, with or without built-in push-button, 2-pin socket;  
  
 230 V Halogen incandescent lamp 12 V/20 W, only with built-in push-button, 2-pin socket;
  - Transformers:**  
 Transformers for 12 or 24 V secondary voltage available upon request.
  - Built-in momentary push-button on/off switch:**  
 Momentary switches or timers are required for 50-Watt luminaires.
  - Mounting bracket:**  
 The mounting bracket for the lamp (pivoting hinge) is included. Adapter flange for mounting series MV weld-neck type sight port can be ordered separately.

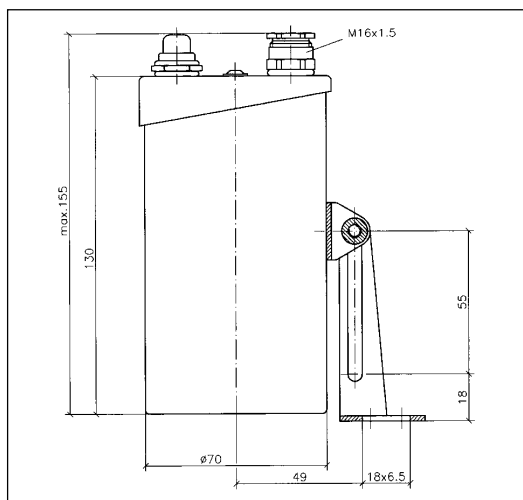


Stainless steel Lumiglas luminaire USL15



Stainless steel Lumiglas luminaire series USL15 with hinged bracket mounted onto a circular sight glass fitting series DIN 28120

## • Dimensions for Lumiglas luminaire stainless steel USL15



## • Parts, construction and materials:

- body and cover: stainless steel 1.4404
- fastenings: 1.4301 (hinged bracket or adapter flange)
- power cable: 3 meters (3 x 0,75 mm<sup>2</sup>)
- weight: without transformer: 0,841 kg  
with transformer: 1,210 kg

## • Connection data:

Stainless Steel Lumiglas Luminaire USL15						Replacement Parts		
Item	Series USL15	Push Button	Part No.	Supply Voltage	Built-In Transformer	Halogen Lamp		
						Socket	Voltage/Power	Part No. <sup>1)</sup>
1	(120 V/12 V) 5 W	-	3540.227.00	120 ~	Yes	G4	12 V/5 W	3232.221.00
2	(230 V/12 V) 5 W	-	3540.229.00	230 ~	Yes	G4	12 V/5 W	3232.221.00
3								
4	(12 V) 20 W	Yes	3540.231.00	12 =	-	GY6.35	12 V/20 W	3232.240.00
5	(12 V) 20 W	-	3540.232.00	12 =	-	GY6.35	12 V/20 W	3232.240.00
6	(24 V) 20 W	Yes	3540.233.00	24 =	-	G4	24 V/20 W	3232.222.00
7	(24 V) 20 W	-	3540.234.00	24 =	-	G4	24 V/20 W	3232.222.00
8	(120 V) 20 W	Yes	3540.235.00	120 =	-	GY6.35	120 V/20 W	3232.267.00
9	(120 V) 20 W	-	3540.236.00	120 =	-	GY6.35	120 V/20 W	3232.267.00
10	(230 V/12 V) 20 W	Yes	3540.237.00	230 ~	Yes	G4	12 V/20 W	3232.229.00
11	(230 V) 50 W	Yes	3540.238.00	230 =	-	GZ10	230 V/50 W	3232.261.00
12	(12 V) 50 W	Yes	3540.240.00	12 =	-	GY6.35	12 V/50 W	3232.238.00
13	(24 V) 50 W	Yes	3540.242.00	24 =	-	GY6.35	24 V/50 W	3232.242.00
14	(120 V) 50 W	Yes	3540.244.00	120 =	-	GY6.35	120 V/50 W	3232.265.00
15	(120 V) 50 W	-	3540.245.00	120 =	-	GY6.35	120 V/50 W	3232.265.00
16	(230 V) 50 W	-	3540.239.00	230 =	-	GZ10	230 V/50 W	3232.261.00
17	(24 V) 100 W	Yes	3540.247.00	24 =	-	GY6.35	24 V/100 W	3232.244.00
18	(120 V) 100 W	Yes	3540.249.00	120 =	-	GY6.35	120 V/ 100 W	3232.266.00

<sup>1)</sup> = ordering no.

## • Luminaire mounting:

- hinged bracket Part No. 0527.008.00 (included)
- adapter flange DN 65 series MV Part No. 1356.007.00 (separate order)

## • Ordering information:

- e.g. Lumiglas luminaire stainless steel type USL15, 24 V/20 W with push button, part No. 3540.233.00 and additionally on demand:
- luminaire mounting adapter flange DN 65, part No. 1356.007.00

## • Application examples:



Installed as lighting port assembly, using hinged bracket, fitted to circular sightglass port to DIN 28120 DN 50



Installed on a series MV DN 65 using adapter flange

All dimensions in mm unless stated otherwise. Subject to change without prior notice.  
WW 2x1000/07.02 3755.200