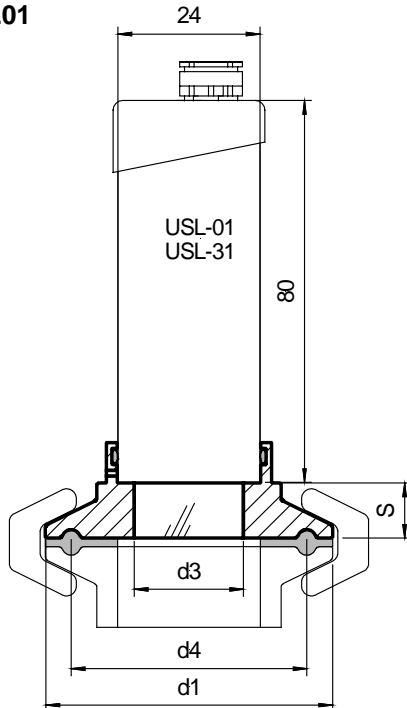


Sanitary MetaClamp & Mini USL01 Luminaire For Luminaire Type USL-01 or USL-31 Type 80.USL01



For

- Tri-Clamp Fittings to DIN 32 676 / ISO 2852

Advantages:

- Extremely compact
- Optimum design for biotech and laboratory applications involving small vessels
- Minimal crevices for sanitary applications
- Suitable for food processing (3-A Standard)
- Dust & Water jet resistant (IP65) even during external wash down
- Simple & fast installation with no risk of breakage
- Sightglass resistant to catastrophic failure
- Very high resistance to impact

Operating Conditions:

- Pressure: -1 to 16 bar
- Temperature: see Table

Material Certificate:

Certificate of conformity to EN 10204-3.1B (or 3.1A at extra cost)

| Ring Material | Operating Temperature |
|-------------------------------|-----------------------|
| Duplex Stainless Steel 1.4462 | -30°C bis +280°C |
| Hastelloy C-22 2.4602 | -60°C bis +300°C |
| Hastelloy C-4 2.4610 | -60°C bis +300°C |

| Standard Tube OD | | d1 | d3 | d4 | S | Max. operating pressure [bar] |
|------------------|-----------|------|----|------|----|-------------------------------|
| DN (mm) | DN (inch) | | | | | |
| 18 | ½", ¾" | 25 | 18 | 12 | 10 | 16 |
| 10/15/20 | ½", ¾" | 34 | 18 | 27,5 | 7 | 16 |
| 25/32/40 | 1", 1½" | 50,5 | 25 | 43,5 | 7 | 16 |
| *50 | *2" | 64 | 30 | 56,5 | 7 | 16 |

* Recommend Sanitary MetaClamp & Luminaire Typ USL-33 (Data Sheet VM6.02)

Approvals and Technical Data:

- Directive for pressure equipment 97/23/EG 02/98 Module H/H1 (DIN/EN/ISO 9001)
- AD Standards W0/TRD 100
- Sight glass fused to metal conforming to DIN 7079
- Materials to Vd TÜV specifications and the DIN/EN designated standard
- Glass: Borosilicate to DIN 7080
- A3-Standard for food processing

Mini-Lumiglas-Light Stainless Steel USL-01 or US-31

- Supply Voltage: AC/DC
- 12V Halogen-lamp 5 W (without p. Button)
- 21V Halogen-lamp 20 W (with P. Button)
- Housing : Stainless Steel 1.4301 or similar
- Bulb life : over 2500 operating hours
- Maximum ambient temperature: 90°C
- Dust & Water jet tight to IP65 to EN 60 529/DIN VDE 0470 Part 1