

METAGLAS®

Metaclamp – Metaglas Sanitary Clamp Fitting Type 80

Data sheet VM4.02

Metaglas – the ultimate in sightglass safety:

Metaglas is the strongest and most secure glass for sight window applications. The mechanically pre-stressed glass fused to metal construction provides levels of safety and length of service far beyond that offered by any conventional sight glass.

Application:

For clamp fittings to DIN32 676 / ISO 2852.

Advantages:

- Extremely compact construction.
- Suitable for food processing & other sterile applications (3-A Standard).
- Reliability against total failure - the possibility of sudden unexpected rupture is totally excluded.
- Fast & simple installation & maintenance.
- Extreme resistance to impact and temperature.
- Wide acceptance in the European & American food, beverage, pharmaceutical and chemical industries.



Metaglas sanitary clamp fitting

Operating Conditions:

Temperature: -60°C to +300°C

Pressure: Vacuum to 16 bar.

Approvals and Technical Data:

Manufactured and tested in conformance with:

- Directive for pressure equipment 97/23/EG 02/98, Module H/H1 (DIN/EN/ISO 9001)
- AD Standards W0/TRD 100
- 3-A Standard for food processing
- Sight glass fused to metal conforming to DIN 7079
- Borosilicate glass to DIN 7080
- Materials to Vd TÜV specifications and the DIN/EN designated standards.

Material Certificates:

Certificate of Conformity to EN 10204-3.1B

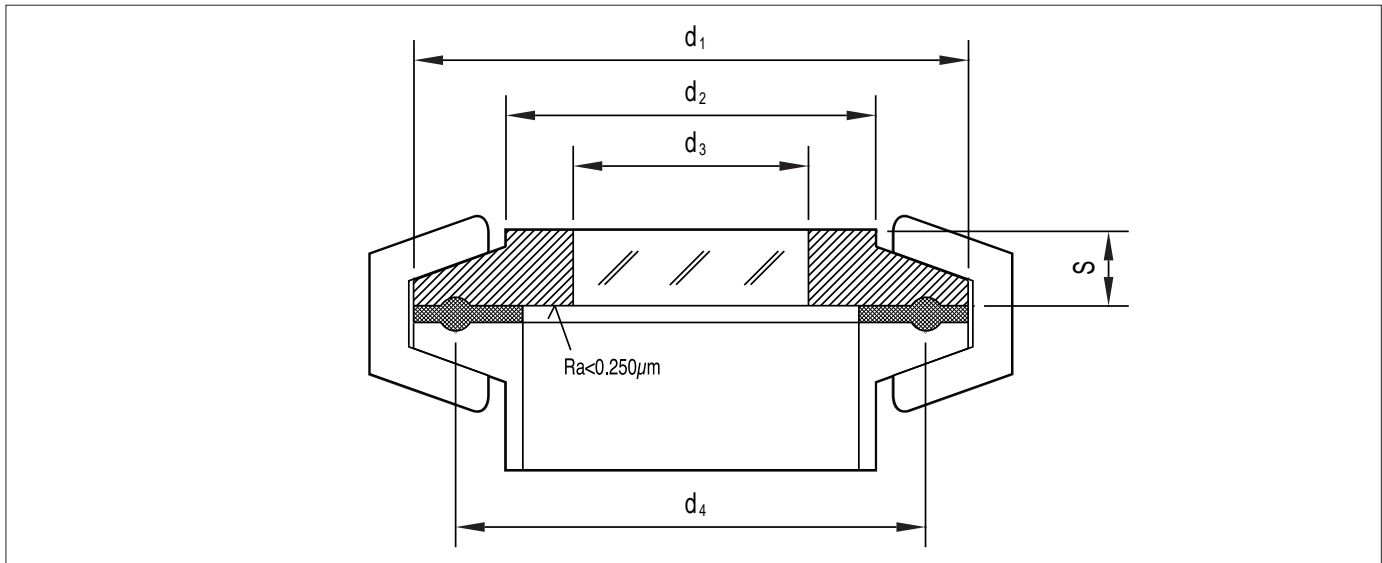
(or 3.1A at extra cost).

Ring Materials	Operating Temperatures
Duplex (1.4462)	-30°C to 280°C
Hastelloy C-22 (2.4602)	-60°C to 300°C
Hastelloy C-4 (2.4610)	-60°C to 300°C

Other materials available.

Dimensions for Metaglas Sanitary Clamp Fitting

Type 80



Standard tube OD		d1	d2	d3	d4	S	Max. operating pressure (bar) up to 232°C
DN (mm)	DN (inch)						
10/15/20	1/2" / 3/4"	34	21	12	27.5	7	16
25/32/40	1"/1 1/2"	50.5	41	25	43.5	7	16
50	2"	64	52	30	56.5	7	16
	2 1/2"	77.5	69	35	70.5	10	10
65	3"	91	76	40	83.5	10	10
80	3 1/2"	106	90	50	97	10	10
100	4"	119	102	55	110	12	10
	6"	167	152	75	156.5	16	6
150		183	160	75	174.3	16	6
	8"	217.5	198	100	207.4	16	6
200		233.5	210	100	225.1	16	6
	10"	268	245	120	257.8	18	6
250		287.5	266	120	278.4	18	6
	12"	319.3	300	140	309.1	20	6
300		338.3	316	140	328.4	20	6

Ordering Information

Please specify your selected items as follows:

Nominal bore, Outside diameter (d1), Viewing diameter (d3)

Pressure

Temperature

Ring Material

08/2001

All dimensions in mm unless otherwise stated

Subject to change without notice