

## Lumiglas Luminaire Stainless Steel Series ESL25-Ex

DATA SHEET 07.25

### ⊕ II 2G EEx d IIC T4/T5/T6

#### • For mounting on sightglass fittings:

The product is the **Ex version** of a universally applicable sightglass luminaire ideally suited of use on **combined sight/lightglass** (single flanged port arrangement) or separate flanged ports.

#### • Compact, high light output:

Dazzle free illumination; suits circular sightglass fittings to DIN 28120 / DIN 28121 or similar as well as screwed sightglass assemblies similar to DIN 11851 and flow indicators. Sizes, depending on style, from DN 25 and larger

#### • Large light aperture thanks to screwed lens ring design

#### • Applications:

Particularly suited for use in pharmaceutical and food processing operations; for the illumination of flow indicators, pipelines, laboratory mixers, bioreactors as well as the internals of tanks, pressure vessels, stirred reactors and similar normally sealed process vessels in **explosion hazardous areas zones 1 and 2, as rated to IEC 79-10**

#### • Protection:

Dust and Waterjet tight IP 65 to EN 60529/DIN VDE 0470 part 1

#### • Operating conditions:

Independent of vessel internal pressure/vacuum

#### • Lumiglas luminaires of this series are approved for use in ambient temperatures of up to 60 °C.

#### • EC-Type-Examination Certificate: DMT 98 ATEX E 039 X

⊕ II2G EEx d IIC T4/T5/T6

#### • Flameproof enclosure type: EEx d 'pressure tight enclosure' to DIN EN 50018

#### • Explosion group: IIC (all explosion classes)

#### • Temperature class: Up to T6 (depending on wattage)

#### • Electrical data and components: Conforming to EC-Type-Examination Certificate

#### • Electrical supply characteristics: AC/DC, depending on luminaire model

#### • Operating voltage: Without integral transformer:

12 V... Halogen filament lamp 5 W, 10 W, 20 W  
24 V... Halogen filament lamp 20 W

#### With integral transformer:

PTC-protected (5 W) otherwise thermal fuse (>5 W)  
230 V... Halogen filament lamp 12 V/5 W, 10 W  
120 V... Halogen filament lamp 12 V/5 W, 10 W

#### • Lamp socket: See table on page 2.

#### • Specially designed bracket ensures simple and practical mounting.

#### • Straightforward electrical connection via integral cable tail or EEx d cable entry gland

#### • Screwed lens ring opening makes lamp exchange easy.

#### • Accessoires:

- Mounting parts: stainless steel hinged bracket or flanged adaptor collar
- Lens ring peg spanner for opening the luminaire
- EEx time delay switch in separate enclosure, for limiting ON mode (see page 4)
- Connectig cable



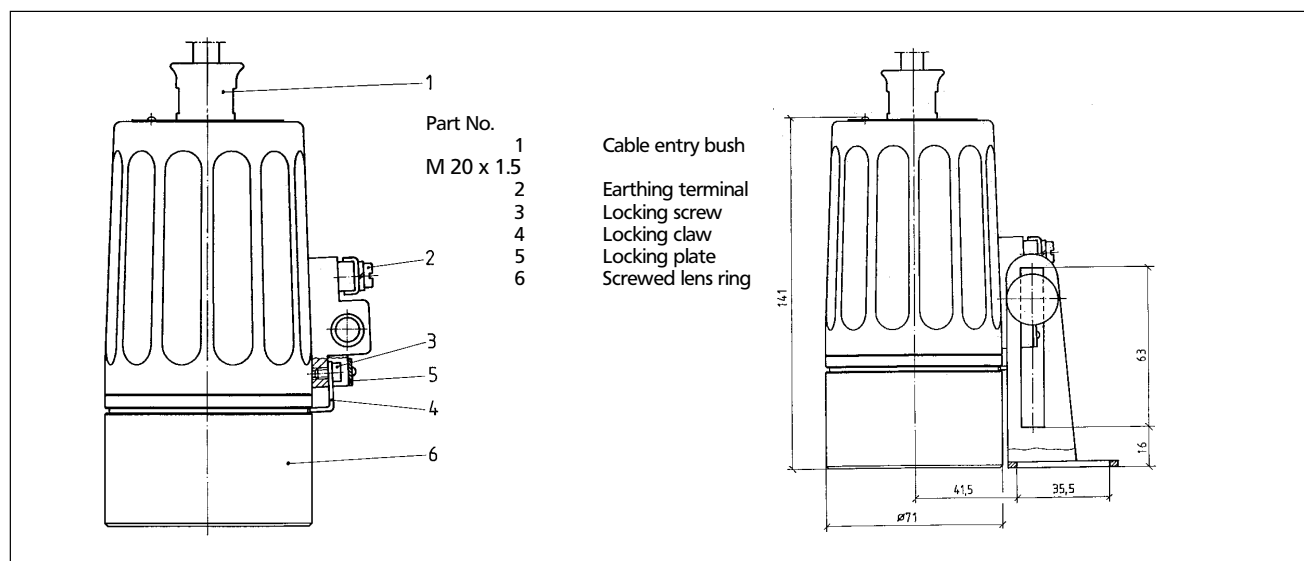
Stainless Steel Lumiglas Luminaire Type ESL25-Ex with hinged bracket fastening, structure design, polished



Stainless Steel Lumiglas Luminaire Type ESL25-Ex with hinged bracket fastening, plain design, polished

Generally this plain design luminaire will be delivered if not ordered otherwise.

• Dimensions and electrical data for Lumiglas luminaires series ESL25-Ex:



• Parts, materials and finish:

- Luminaire body: stainless steel 1.4301 polished
- Fixing bracket: stainless steel (see under 'accessoires')
- Cable entry gland: M 20 x 1.5

• Weight (without connecting cable):

- Without integral transformer: 1.8 kg
- With integral transformer: 2.2 kg

• Connecting data:

a) ESL 25-Ex – with integral cable tail

b) ESL 25-Ex/1 – without integral connecting cable

Item	Type ESL 25-Ex	Part No. a) ESL 25-Ex with cable	Part No. b) ESL 25-Ex/1 without cable	Supply V	Integral transformer	Halogen fil. lamp			Temp. class	
						socket	voltage	part no.	at max. op.temp. 40 °C    60 °C	
1	(12 V) 5 W	3540.902.00	3540.922.90	12 =	without	G4	12 V/ 5 W	3232.221.00	T 6	T 5
2	(120 V/12 V) 5 W	3540.904.00	-	120 ~	with	G4	12 V/ 5 W	3232.221.00	T 6	T 5
3	(230 V/12 V) 5 W	3540.906.00	-	230 ~	with	G4	12 V/ 5 W	3232.221.00	T 6	T 5
4	(12 V) 10 W	3540.907.00	3540.927.90	12 =	without	G4	12 V/10 W	3232.224.00	T 5	T 4
5	(120 V/12 V) 10 W	3540.908.00	-	120 ~	with	G4	12 V/10 W	3232.224.00	T 5	T 4
6	(230 V/12 V) 10 W	3540.910.00	-	230 ~	with	G4	12 V/10 W	3232.224.00	T 5	T 4
7	(12 V) 20 W	3540.912.00	3540.932.90	12 =	without	GU4	12 V/20 W	3232.258.00	T 4	-
8	(12 V) 20 W	3540.914.00	3540.934.90	12 =	without	G4	12 V/20 W	3232.229.00	T 4	-
9	(24 V) 20 W	3540.916.00	3540.936.90	24 =	without	G4	24 V/20 W	3232.222.00	T 4	-

• Accessoires:

Item	Description	Part No.
1	Luminaire mounting - hinged bracket	0354.019.00
2	Luminaire mounting - flanged adaptor collar	1356.007.00
3	Lens ring - peg spanner	6816.001.00
4	EEx time delay switch	refer to data sheet 09.02; page 4
5	Connecting cable	on demand

- **Mounting and electrical connection**  
(please see separate installation and operating instructions)

- **Mounting alternatives:**

With circular sightglass fittings and with flow indicators the luminaire is mounted on the cover flange using the hinged bracket.  
With screwed sightglass fittings the luminaire is secured to the slotted cover nut.

**The Lumiglas luminaire ESL25-Ex suits the following fitting sizes or larger:**

- a) Circular sightglass style DIN 28120: DN 25...
- b) Circular sightglass style DIN 28121: DN 40...
- c) Flow indicators: DN 50
- d) Screwed sightglass style DIN 11851:
  - DN 65 using the separate flange adaptor collar
  - from DN 80 using the hinged bracket

- **Electrical connection options, connecting cable alternatively:**

- a) Works fitted; cable tail (2 m standard) resin cast into trumpet cable entry bush; alternative lengths available on request: 5 m, 10 m, 20 m
- b) No works fitted cable; cable to be supplied by client to match screwed entry gland M20x1.5

NB: At ambient temperatures > 40° C, high temperature cable must be used e.g. 4GMH4G-J3x1.5mm<sup>2</sup>.

- **Ordering information:**

- Example: Lumiglas luminaire model ESL25-Ex (230 V/12V) 5 W  
EExd IIC T6 with 2 m connecting cable  
Part No.: 3540.906.00.
- Example: Lumiglas luminaire model ESL25-Ex/1 (24 V) 20 W  
EExdIIC T4  
Part No.: 3540.936.00  
with
  - a) Lens ring peg spanner:  
Part No.: 6816.001.00
  - b) Flanged adaptor collar:  
Part No.: 1356.007.00

- **Installation examples:**



As lighting port, fitted to sightglass style DIN 28120, DN 50.



As lighting port, fitted to DN 65, dairy style unit, using upstand (adaptor collar)

All dimensions in mm unless stated otherwise. Subject to change without prior notice.  
WW 2x1000/04.02 3755.194